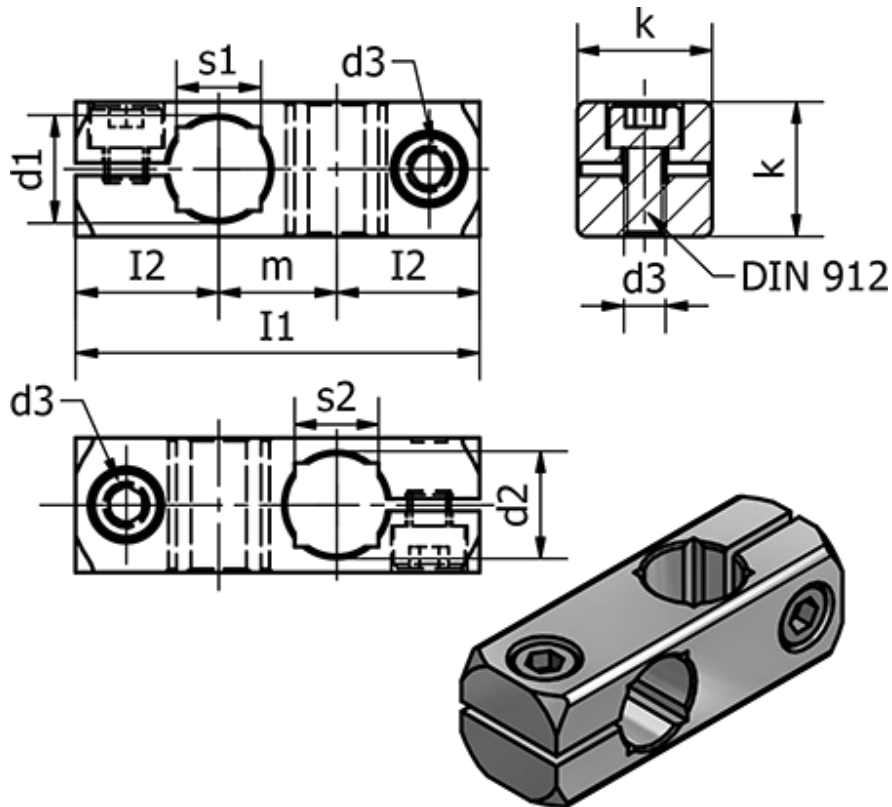


Article number: 20474B10B8MT

Description: E+G Two-way clamp mounting - GN 474-B10-B8-MT

## Measures



Clamping kit for d3 = GN 511-M5-16

d1 h11 = 10

d2 h11 = 8

d3 = 5

I1 = 46

I2 = 17

k = 16

m = 12

s1 = 8

s2 = -

Weight (g) = 24